



**PRINCIPAL SPECIFICATIONS**

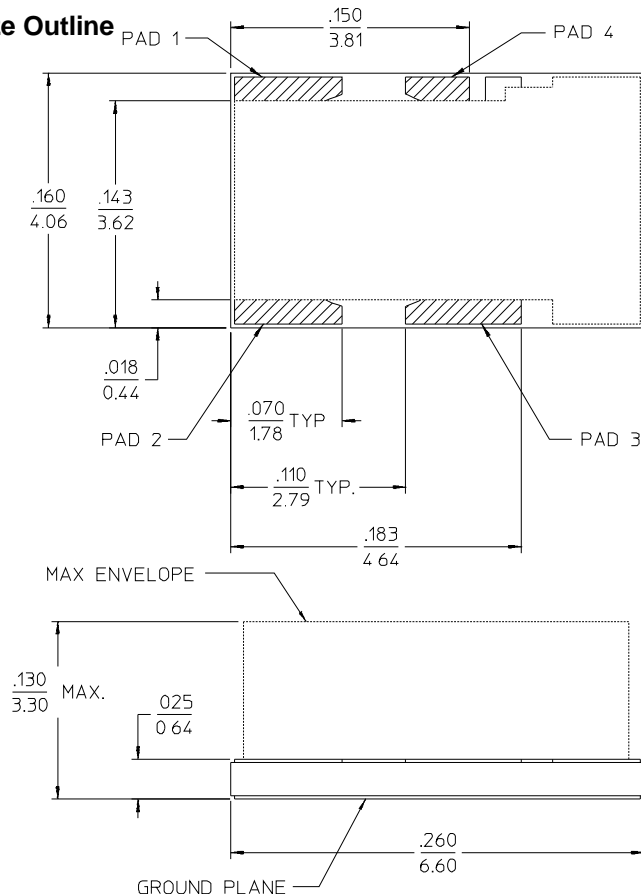
Model Number	Coupling, dB	RF Bandwidth
CRZ-11B-500	11 ±1	10 to 1000 MHz
CRZ-20B-500	20 ±1	10 to 1000 MHz

Coupling Value is referred to **Input Port**

**GENERAL SPECIFICATIONS**

Impedance: 50 Ω nom.  
 Frequency Sensitivity: ±1 dB, max.  
 Insertion Loss (above Coupling Value):  
     10 to 500 MHz: 1 dB max.  
     500 to 1000 MHz: 1.5 dB max.  
 Directivity:  
     10 to 300 MHz: 20 dB min.  
     300 to 800 MHz: 15 dB min.  
     800 to 1000 MHz: 13 dB min.  
 VSWR: 10 to 500 MHz: 1.5:1 max.  
     500 to 1000 MHz: 1.8:1 max.  
 CW Input: 1 W max.  
 Weight, Nominal: 0.007 oz. (200 mg)  
 Operating Temperature: - 55° to +85°

**B-size Outline**



NOTES:

1. Tolerance on 3 place decimals ±.010(.25) except as noted.
2. Max. is largest dimension allowed.
3. Dimensions in inches over millimeters.

Pad	Function
1	Main Output
2	Main Input
3	Forward Coupled Port
4	Reverse Coupled Port

**General Notes:**

1. Bi-directional couplers in the CRZ-B CaseFree series are size and process compatible with MMIC and other similar sub-miniature components. Their low 0.130" profile facilitates integration with hermetic packages using silver epoxy, solder or wire bonding attachment methods.
2. Similarly constructed couplers are available in the CBZ-B series with the "reverse coupled port" terminated for use as a 3-port directional coupler.
3. Applications of directional couplers include monitoring of incident and reflected power, signal sampling for control loops and test signal injection devices in BITE.

03May96